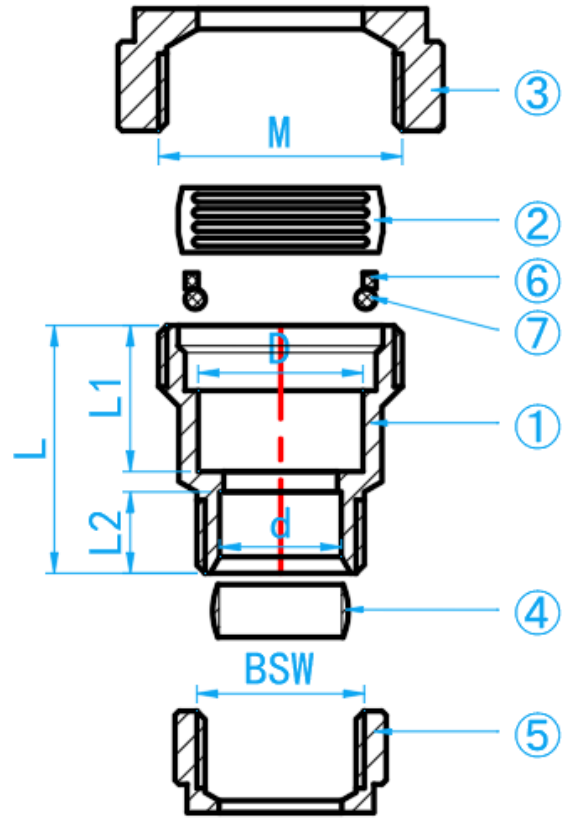
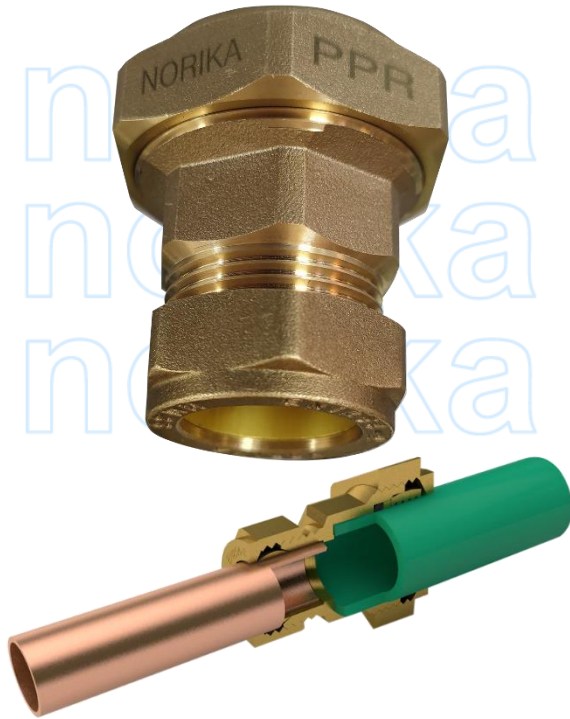
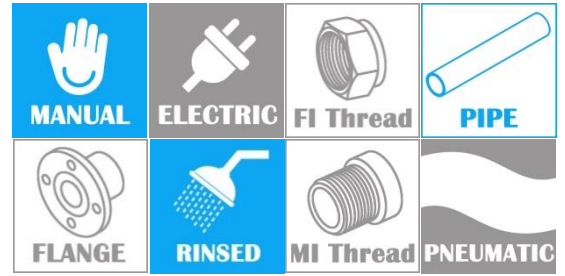


COMPRESSION COUPLER (PPR-COPPER QUCIK FIT BRASS CR SOCKET)

COMPLY WITH BSEN1254-2:1998



SECTION VIEW

COMPONENT PARTS

ITEM	PARTS	MATERIAL
1	Body	DZR Brass
2	Ring	Brass
3	Nut	Brass
4	Ring	Brass
5	Nut	Brass
6	Ring	Brass
7	O-Ring	EPDM

DIMENSIONS

SKU	PPR D(mm)	Cu/SS d(mm)	M	BSW	L (mm)	L1 (mm)	L2 (mm)	WEIGHT (kg)	PCS/CTN
PPRQFNRS02015	20.3	15	M30X1.5	G1/2"	30.5	18	10	0.062	300
PPRQFNRS02022	20.3	22	M30X1.5	1-1/8"	34.0	18	13	0.106	200
PPRQFNRS02515	25.3	15	M39X1.5	G1/2"	33.5	21	10	0.192	100
PPRQFNRS02522	25.3	22	M39X1.5	1-1/8"	33.5	21	10	0.170	100